

RAPIDPLAS

ISSUE 77

TRUE BLUE

SUMMER SAVINGS DEC-FEB 2018



TANK VS CAR

TESTED TO THE LIMIT
WITH A 1.6T SUV



WATCH THE VIDEO ONLINE!

GENUINE TOUGHNESS



Collecting and protecting our scarcest resource in Aussie's toughest tank

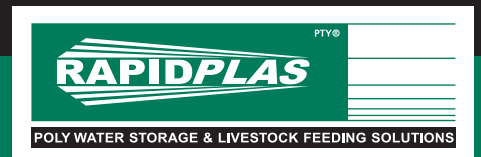


Individually crafted in Australia with dual stainless steel roof beams for strength



Built to last in the Aussie bush with the genuine tough corrugated design

FREECALL 1800 816 299
or visit rapidplas.com.au



Freight Free for Tanks 7000lts and above. Excludes areas north of the Bundaberg, Monto, Roma, Dirranbandi axis and areas west of the Mungindi, Walgett, Nyngan, Hillston, Hay, Deniliquin axis. Delivery must be within 2 weeks of end of promotion (supply permitting), otherwise if Rapid Plas lead time is longer than that time, the order is subject to approval from management. Subject to Rapid Plas Terms & Conditions available upon request. Not to be used in conjunction with any other offer. Promo must be quoted to secure deal. OFFERS VALID TILL 28TH FEBRUARY 2018

Collecting Our Scarcest Resource In

AUSSIE'S TOUGHEST TANKS



Well, if you going to go to all the effort to capture it, it must be in a tank that's going to stand up to the tough Aussie conditions.

Here at Rapid Plas, because we process our own raw material in-house under controlled conditions, we can guarantee that we use only UV stabilised material for all products.

This therefore means they last a lot longer in the harsh Australian sun.

Even our troughs are made from the same material that we use to make a tank that holds 32,000L of water.

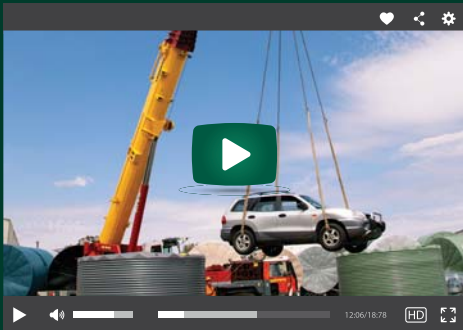
That's 32 tons of water, so they really do need to be built tough.



BUY FROM YOUR LOCAL DEALER OR RISK GETTING BURNT.

Your local dealer is your trusted adviser, they'll point you in the right direction.

Our dealers work hand in hand with Rapid Plas to ensure your tank is custom built and perfectly fitted prior to leaving the factory without you having to fit them onsite yourself.



Watch the VIDEO ONLINE

14000L Rainwater Tank

A large tank, definitely tough, and it's under \$2000 including FREE delivery to your home or farm.



RT13500



2 x Outlet Positions



or visit rapidplas.com.au



Built to last in the Aussie bush with the

TOUGH CORRUGATED DESIGN

5,000 Gallon

22500L Tank Package
Only **\$2,624**
Save \$336



Free Water Beacon

Worth \$165

FREE DELIVERY
TO YOUR FARM OR HOME*

2 x Outlet Positions



5000 Gallon Package

RT22500

22500L rainwater tank with a FREE Water Beacon Level indicator and FREE delivery to your home or farm.



The corrugated design actually makes them a lot stronger. Corrugated iron was originally designed for strength. You can imagine what the strength of a flat sheet of iron would be compared to a corrugated one. That's why all the old steel tanks were corrugated.

45,000L Double Tank Deal

45DDKIT

10,000 Gallon



67,500L Triple Tank Deal

67TDKIT

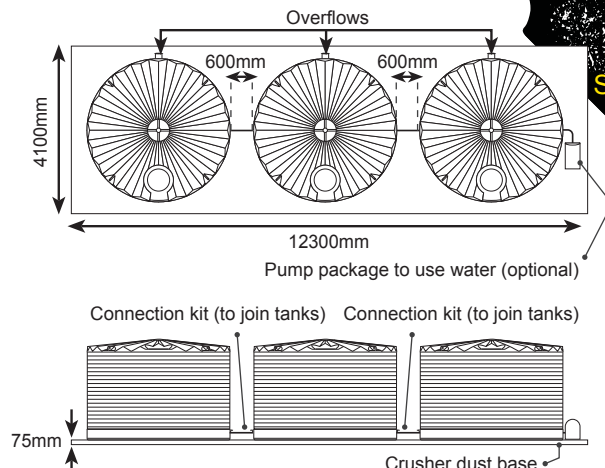
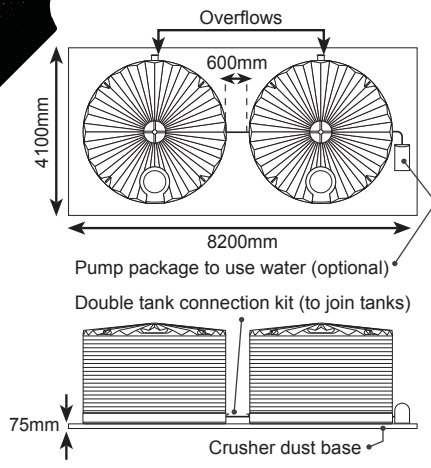
15,000 Gallon



45000L Double Tank Deal
Only **\$5,110**
Save \$580

FREE in 45DDKIT / 67TDKIT **Worth \$100 ea**

67500L Triple Tank Deal
Only **\$7,575**
Save \$1010



ROOF BEAMS

FOR STRENGTH



27000L
Rainwater Tank

Only
\$3,260
Save \$266

**6,000
Gallon**

RT27000

27,000L rainwater tank giving you extra capacity for extra security. Built bigger, built tougher.



ALL OUR LARGE TANKS, 7000L AND ABOVE COME WITH two stainless steel roof beams. These are like the roof beams of a house and provide the tank with unprecedented structural strength. They are moulded into the tank and are one of the key reasons why we're confident to test if our tanks could hold the weight of a car.

STRONG ARM
ROOF BEAM
100% STAINLESS STEEL

54,000L Double Tank Deal

54DDKIT

**12,000
Gallon**



81,000L Triple Tank Deal

81TDKIT

**18,000
Gallon**



54000L
Double
Tank Deal

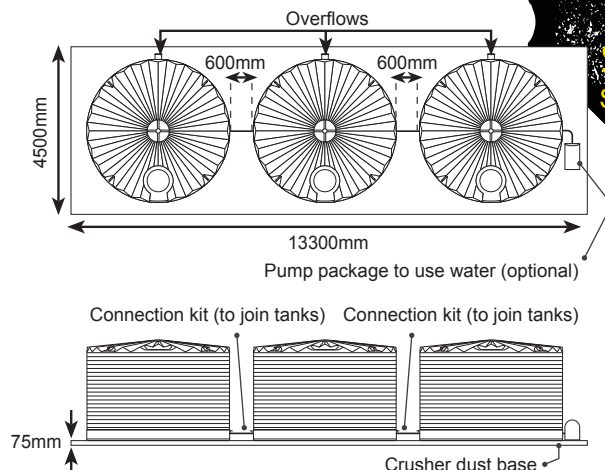
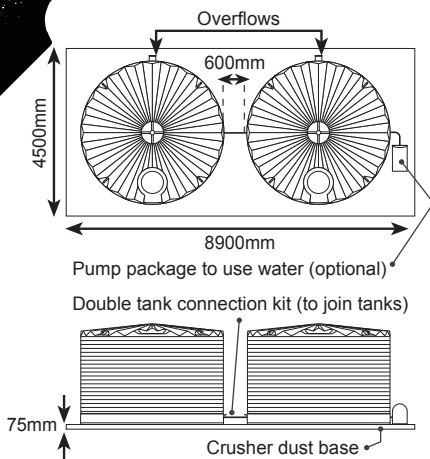
Only
\$6,460
Save \$692

FREE
in 54DDKIT / 81TDKIT

Worth
\$100 ea

81000L
Triple
Tank Deal

Only
\$9,630
Save \$1148



or visit rapidplas.com.au



TROUGH vs STEER



**TESTED TO THE LIMIT
WITH A 570KG STEER**

Watch the
VIDEO ONLINE

High Troughs

450mm high - perfect for cattle.

High 4' Longline Water Trough **98 Litre**
Only \$316
 Save \$36
 PT08W



High 6' Longline Water Trough **145 Litre**
Only \$440
 Save \$49
 PT21W



High 8' Longline Water Trough **190 Litre**
Only \$485
 Save \$54
 PT06W



½" Float valve and cover included with both high and low troughs



Low Troughs

300mm high - perfect for sheep.

Low 4' Longline Water Trough **98 Litre**
Only \$308
 Save \$35
 PT09W



Low 6' Longline Water Trough **145 Litre**
Only \$419
 Save \$47
 PT22W

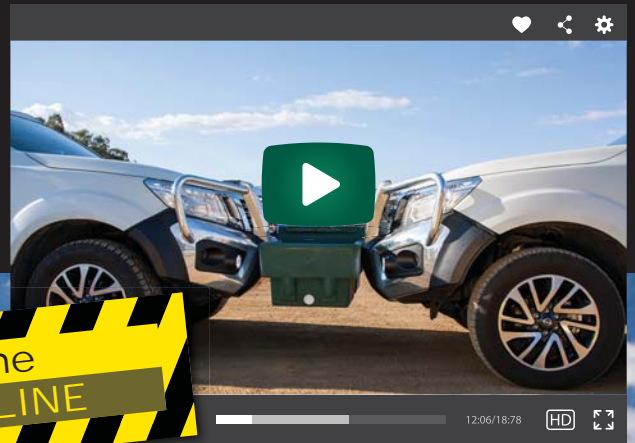


Low 8' Longline Water Trough **190 Litre**
Only \$471
 Save \$52
 PT07W



STANDING UP TO TWO 4X4'S

Double Paddock Water Troughs
- Built for Bulls



Watch the VIDEO ONLINE



200L Ultra Longline Water Trough
Only **\$350**
Save \$41

400L Ultra Longline Water Trough
Only **\$489**
Save \$53



1" Float valve and cover included with these troughs



Sweep Trough + Free Broom

PT70SW

Sweep Trough + Broom
Only **\$498**
Save \$75



TROUGH CLEANING MADE EASY
The sweep out trough that's all poly and extra heavy duty.

- Easy to clean out with smooth sweep out end
- 140L capacity
- Fully protected 1" float valve & cover included



or visit rapidplas.com.au



5000L
Combo
Tank & Trough
Only
\$2340
Save \$217

DP645

FACTORS TO CONSIDER WHEN CHOOSING THE COMBO

1. Security – knowing stock have access to water for several days even if pipe cracks or pump fails. Pipework is also completely protected from cattle
2. Water Quality – cool, clean & fresh water contributes to better growth rates & productivity. Water in trough is kept cool by the tank & tank provides shade to at least 1/3 of trough at any time during the day
3. Easy to clean with the sweep out broom & specially designed ramp
4. Easy to install – comes pre-plumbed so all you have to do is hook up water inlet & check float level
5. Trough design & proximity of tank wall prevents livestock getting into trough and fouling water.
6. High flow rates and large water supply prevents trough running dry even when under pressure from large mobs of thirsty cattle on hot days
7. Calmer animal behaviour due to access to a good water supply & less visibility of other animals – tank blocks the view across trough
8. Easy to see water level indicator for quick checking of stock water

BUILT TOUGH FOR THE AUSSIE FARMER



Keeps water cooler in the summer heat.

This is very important for the growth rate of your cattle.

We all like to drink cool clean water.

DID YOU KNOW:
Over 500 out in paddocks now and still going strong for over 15 years.

Individually crafted like timber, as strong as steel, but...

IT'S POLY SO IT WON'T RUST

DID YOU KNOW:

These products are made from the same material that we use to make a rainwater tank that holds 32,000L of water. That's 32 tons of water, so it really does need to be built strong.



**Hayrack
(No lid)**
Only
\$168
Save \$32

PTS03-NL



Rapid Step
Only
\$149
Save \$49

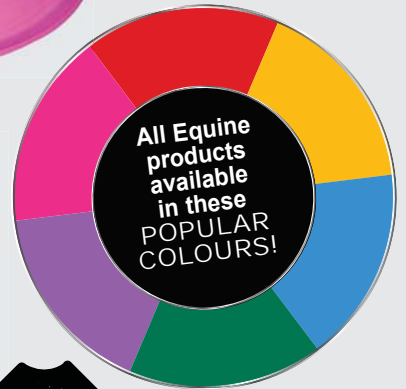
PTRS1

**270L
Chaff Bin**
Only
\$279
Save \$19

PFB

**45L
D-Drinker
+ Float & Cover**
Only
\$149
Save \$26

PTS01W



So many people tell us: "we've had your D-Feeders now for over 15 years, and they're still going strong" and then they follow with "actually it's the steel brackets that are the first to break, it's amazing, the plastic seems to last longer than the steel."



**32L
D-Feeder**
Only
\$55
Save \$9

PTS14



**500L
Covered
Mineral Feeder**
Only
\$1350
Save \$461

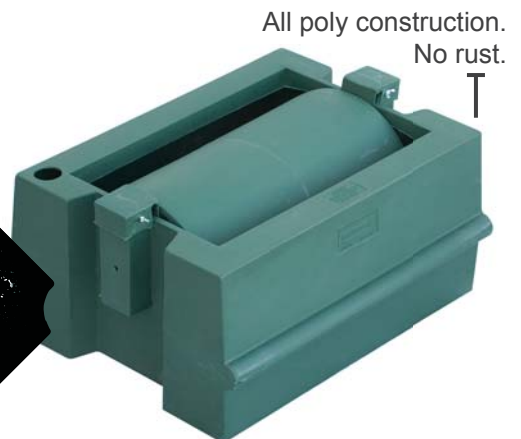
PTMF500R

Swivel roof design for access to tub

Extra wide roof to protect feed

**120L
Molasses
Licker Drum**
Only
\$325
Save \$24

PTS05



All poly construction. No rust.